

Maintenance-free

Design acc. : AD 2000 A4,

ATEX 2014/34/EU

EN 13789

Face to face : EN 558-1

Flange end : EN1092-2.

Test acc. : EN12266

Temperature range :

-30°C~ +350°C(GGG40.3)

Body : GGG40.3

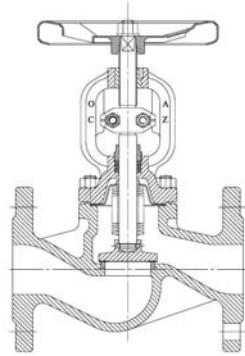
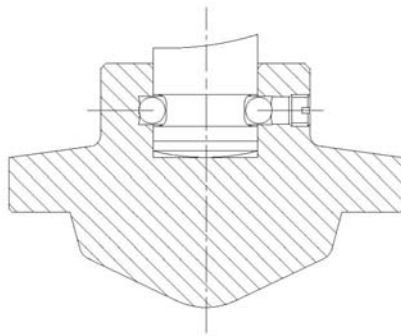
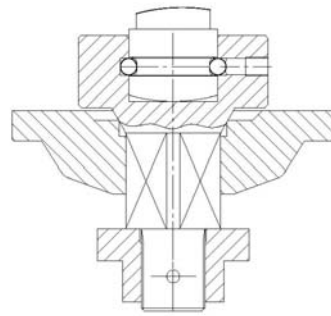


FIG : 115

Available



≤ DN100



≥ DN125

regulating disc

FIG : 115

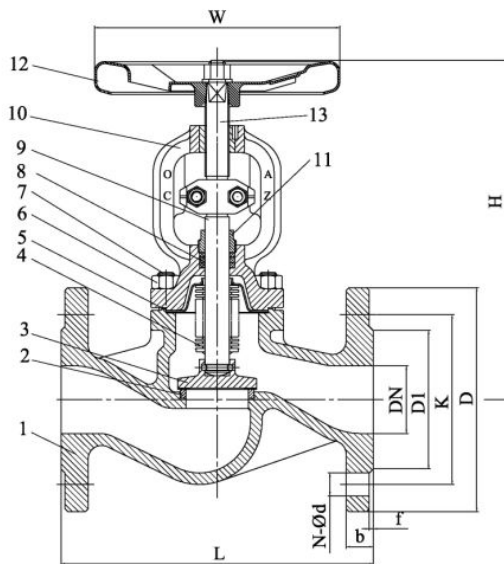


FIG.	Pressure	Material	Range
123.115	PN16	GGG40.3	DN15-DN100

Design acc. : AD 2000 A4,
ATEX 2014/34/EU,
EN 13789
Face to face : EN 558-1 Ser.1
Flange end : EN 1092-2
Test acc. : EN 12266-1
Temperature range :
-30°C ~ +350°C (GGG40.3)

Material List

NO.	Part	Material
		FIG.123.115
1	Body	GGG40.3
2	Seat	1.4006
3	Plug	1.4021
4	Bellow	1.4301
5	Gasket	1.4301+Graphite
6	Nut	C35N
7	Bolt	CK35
8	Packing	Graphite
9	Stem	1.4006
10	Adapter	GGG40.3
11	Packing bushing	1.0619N
12	Handwheel	C10E
13	Stem	1.4006

Dimension List

DN	PN16								H	KV
	L	D	D1	K	b	f	n	d		
15	130	95	45	65	14	2	4	14	202	4.2
20	150	105	58	75	16	2	4	14	202	7.4
25	160	115	68	85	16	2	4	14	210	12
32	180	140	78	100	18	2	4	18	210	19
40	200	150	88	110	18	3	4	18	230	30
50	230	165	102	125	20	3	4	18	230	47
65	290	185	122	145	20	3	4	18	245	77
80	310	200	138	160	22	3	8	18	265	120
100	350	220	158	180	24	3	8	18	350	188

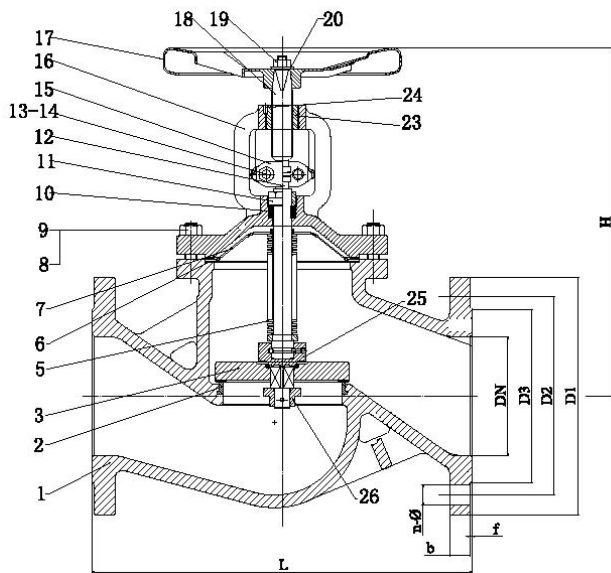


FIG.	Pressure	Material	Range
123.115	PN16	GGG40.3	DN125-DN150

Design acc. : AD 2000 A4,
ATEX 2014/34/EU,
EN13789
Face to face : EN558 Ser.1
Flange end : EN1092-2
Test acc. : EN12266-1
Temperature range :
-30 °C ~ +350 °C (GGG40.3)

Material List

NO.	Part	Material
		FIG.123.115
1	Body	GGG40.3
2	Seat	1.4006
3	Plug	CS+13Cr
5	Bellow	1.4301
6	Body seal	1.4301+Graphite
7	Cap	1.4006
8	Nut	C35N
9	Bolt	CK35
10	Packing	Graphite
11	Packing bushing	1.0619N
12	Low stem	1.4006
13	Nut	C35N
14	Bolt	CK35
15	Connecting block	1.4006
16	Bonnet	GGG40.3
17	Handwheel	C10E
18	Up stem	1.4006
19	Nut	C35N
20	Gasket	C35N
23	Stem nut	GGG40.3
24	Pin	CK35
25	Secondary disc	1.4021
26	Nut	1.4021

Dimension List

DN	PN16								H	KV
	L	D1	D3	D2	b	f	n	φ		
125	400	250	188	210	26	3	8	18	380	288
150	480	285	212	240	26	3	8	23	415	410